



Seasony

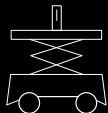
Feeding the world on full auto

Seasony
www.seasony.io
info@seasony.dk
in @ seasonycph

Båd havsgade 42P
2450 Copenhagen
Denmark

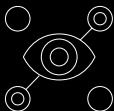
Meet Watney

Autonomous mobile robot designed specifically for vertical farming



Autonomous logistics

Automate transportation of trays and plants between racks and stations



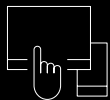
Precision farming

Mobile data capture and granular insights through sensors, cameras and AI



Modular platform

Extendable with third-party hardware and software extensions for endless use-cases



Seasony OS

A single gateway to robot controls, data visualization and software integrations

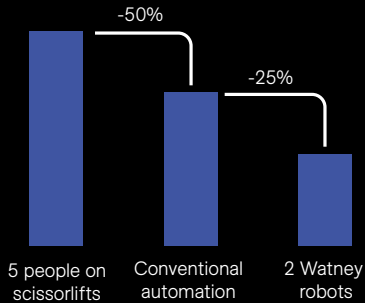


Fully autonomous

Logistics

A cheaper and more flexible alternative to scissor lifts or conventional automation

Cost of logistics
(2000m² example)



Self driving



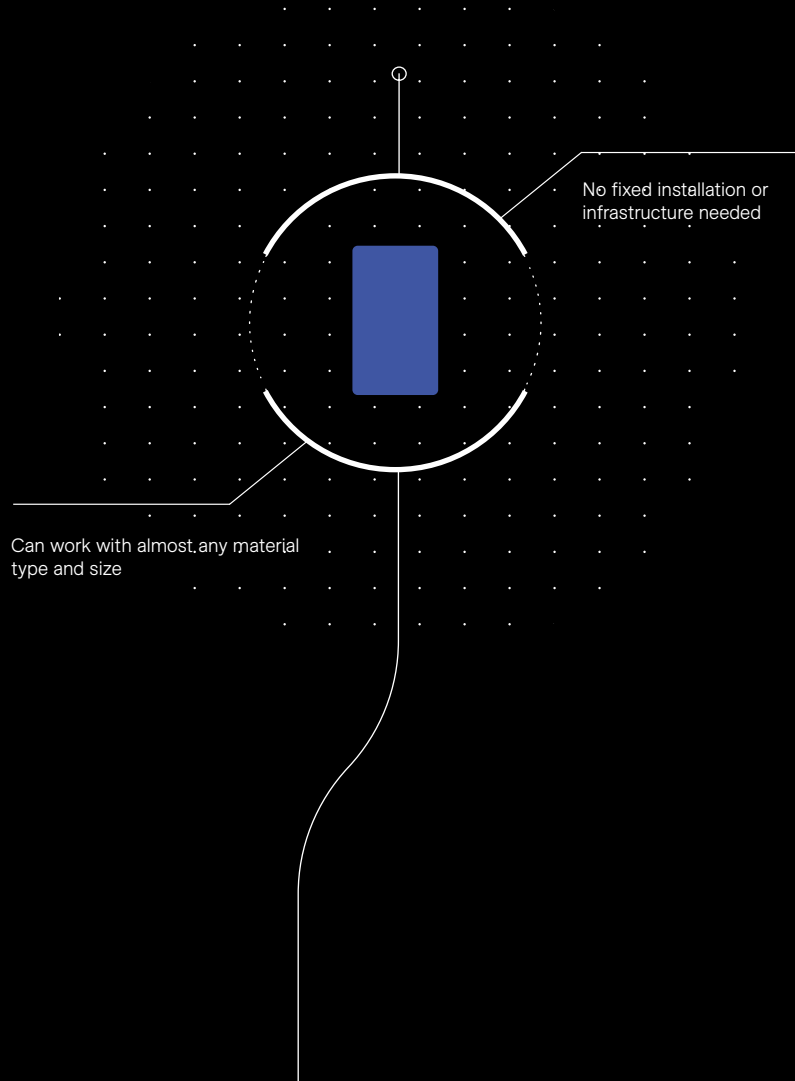
Functional operation height up to 10m



Navigates tight areas with advanced navigation technology



Works safely alongside both people and plants



"80-90% of crop walks is just walking to the plants."

Vertical farm



Onboard camera

Automate 75% of time spent on cropwalks with scheduled or on demand video monitoring of plants



Integrated sensors

Pinpoint microclimates and take action with two-dimensional and granular temperature, humidity and CO2 data

"We expect **30% additional topline** with data and exact control."

iFarm

Data insight

Precision Farming

Watney enables automated data collection from everywhere in the farm by collecting image and environmental data from everywhere it goes.



Reduce loss



Increase yield



Improve efficiency

A solution for every need

Modular platform

Seasony provides a modular automation platform that can accommodate every type of job in a vertical farm, through our ecosystem of technology partners.



Robotic arms



Pollination



Multispectral camera



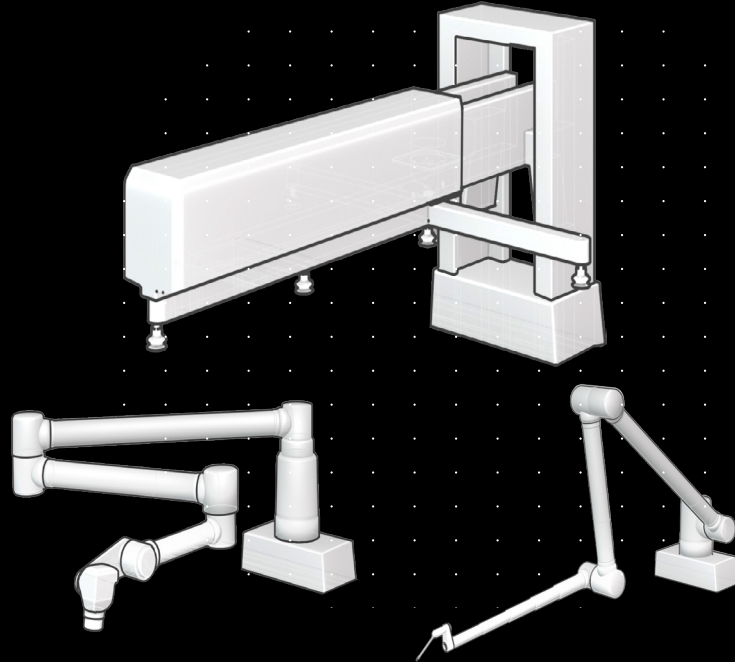
UVC treatment



Thermal imagery



Light intensity/decrotonation
(PAR)



Example technical partners

ORGANIFARMS

Robotic arm for automated strawberry harvesting

GARDIN

Detect plant stress with optical phenotyping and analytics

Easy and fast integration

Seasony OS

Together with Watney our UI makes for a seamless operational experience when setting up automation or browsing through data. Control everything with a simple, well-designed web app.



Plan routines and schedules for robots



Map of your farm with live robot data



Actionable alerts delivered to key personnel



Integrate with third party solutions for single view

View location-based alerts directly on a two dimensional map of your farm



Seasony Aps
www.seasony.io
info@seasony.dk
Bådehavngade 42P
2450 Copenhagen