

# MULTISPAN GREENHOUSES HM MODEL

## TECHNICAL SPECIFICATIONS

### Conformity:

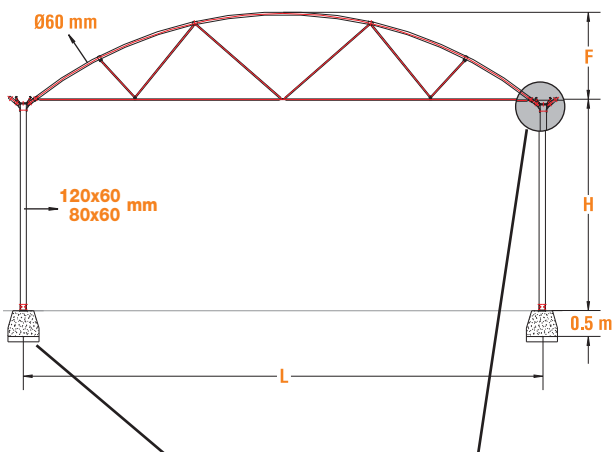
- European norm EN 13031-1 dated 01-11-2004  
"Greenhouses: Design and construction"

### Materials:

- first quality galvanized welded pipe
- steel quality E260 (EN 10305)
- **galvanization process:** Sendzimir Z 275  
high resistance against corrosion

## MEASUREMENTS

Model	L (m)	H (m)	F (m)
HM 8	8		1,30
HM 9	9	3,50÷4,00	1,47
HM 10	10		1,64

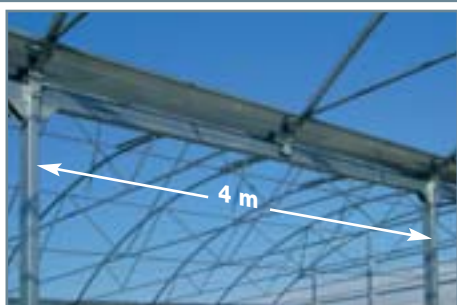
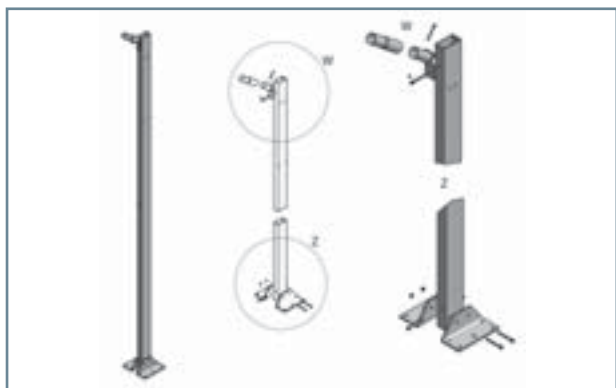


anchorage



arc-column  
connection





**AGRIMEC s.n.c.**  
 di Spelgatti & C.  
 24060 CASAZZA (BG)  
 Via F.lli Calvi, 1 - ITALY  
 Tel. ++39.035.810747  
 Fax ++39.035.812679

<http://www.agrimec.it> - e-mail: [info@agrimec.it](mailto:info@agrimec.it)

Agrimec is free, without any notice,  
 to introduce any technical modification.

Local agent or dealer