



SPYDR 2p47 EU

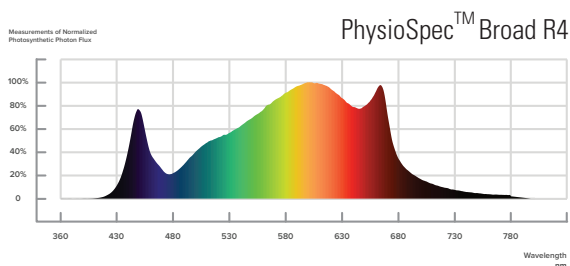
SPYDR 2p is a full-cycle multi-layer cultivation solution for commercial cannabis cultivation, with the power to scale from vegetative growth to higher light intensities in bloom. For optimal results, we recommend SPYDR 2p deployed in environments with CO₂ supplementation between 800-1400 ppm in reproductive growth stage due to high PPFD levels.

 **FLUENCE**

SPECIFICATIONS

Light Source	LED
Spectrum	PhysioSpec™ Broad R4
Light Output PPF	1550 μmol/s
Efficacy	2,4 μmol/J @ 230 V and @400 V
AC Input Power	643 W @ 230 V AC, 635 W @ 400 V AC
AC Input Voltage	230 V / 400 V AC, 50/60 Hz
Nominal Power Factor	0,99 @ 230V AC, 0,96 @ 400V AC at 100% output
Nominal Mains Current	2,83 A @ 230V AC, 1,65 A @ 400V AC at 100% output
Light Distribution	120°
Mounting Height Above Canopy	15 cm - 30 cm [6" - 12"]
Thermal Management	Passive
Max. Ambient Temperature/Humidity	35°C [95°F], 90% RH
Dimming	Off/on 0/1-10 V sink dimming, source driver
Total Harmonic Distortion (THD)	< 10% at 100% output
Lifetime (Driver and LED L90)	> 50.000 hrs
IP Rating IEC 60598-1	IP66
Certifications	CE, UL 8800, IEC 60598-1
Warranty	5 Year Limited Warranty
Electrical Insulation	Class III (IEC 60598-1 Luminaire)

SPECTRA



LUMINAIRE ORDERING CODES

SPYDR Fixture 2p47	LS2P-10237	-	01	Single pack
			15	Bulk pack

POWER SUPPLIES ORDERING CODES

Low Voltage, 230V	PLVG-10506	-	01	Single pack
High Voltage, 400V	PHVE-10507		30	Bulk pack
High Voltage, Global	PHVG-10509			

MOUNTING HARDWARE	Ordering Code	Kits [*]/Carton
Adjustable Mounting Kit	AMS2-10310-[*]	01 or 10
Long V Mounts Kit	AMS2-10348-[*]	01 or 20
2-Point Hanging Lances Kit	AMS2-10332-[*]	01 or 20
Offset Solid Deck Mounting Kit	AMS2-10311-[*]	01 or 20
Solid-Decking Mounts Kit	AMS2-10331-[*]	01 or 20
Short V Mounts Kit	AMS2-10330-[*]	01 or 20
VAS Mounting Kit	AMS2-10349-[*]	01 or 05
PIPP Wire Hanger with VAS Kit	AMS2-10406-[*]	01 or 20
PIPP Wire Hanger with VAS Short Kit	AMS2-10412-[*]	01 or 20
Offset PIPP Drip/Flood with VAS Long Kit	AMS2-10413-[*]	01 or 20
Offset PIPP Drip/Flood with VAS Short Kit	AMS2-10414-[*]	01 or 20

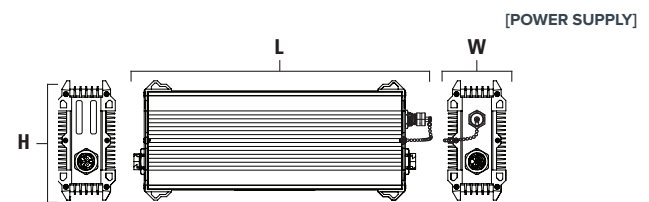
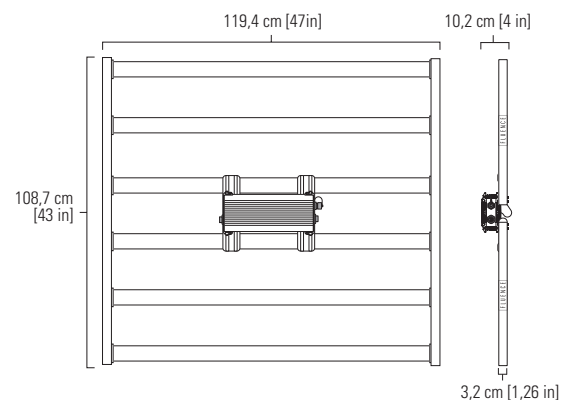
Replace [*] with the kits per carton with two digits (example: AMS2-10310-01)

AC POWER CABLES (Power Supply to AC Line)	Quantity per Light Fixture	Ordering Code	QTY/Carton
1,8 m (6 ft) AC Cable, VDE, H07RN-F, Schuko CEE 7/7 plug, M19 Push Lock, 230 V AC	1 pc	CACE-70774-[*]	01 or 10
1,8 m (6 ft) AC Cable, VDE, H07RN-F, pigtail, M19 Push Lock (not for CE countries)	1 pc	CACE-71161-[*]	01 or 10
4,5 m (15 ft) AC Cable, VDE, H07RN-F, Schuko CEE 7/7 plug, M19 Push Lock, 230V AC	1 pc	CACE-70775-[*]	01 or 05
4,5 m (15 ft) AC Cable, VDE, H07RN-F, pigtail, M19 Push Lock (not for CE countries)	1 pc	CACE-71162-[*]	01 or 05
70 cm (27,6 in) AC Cable, Dca, pigtail, M19 Push Lock (400V CE application)	1 pc	CACE-71411-[*]	1 or 10 pcs

DC POWER CABLES (Fixture to Power Supply)	Quantity per Light Fixture	Ordering Code	QTY/Carton
90 cm (3 ft) DC Cable, M19 Push Lock	1 pc	CDCG-70720-[*]	01 or 10
1,8 m (6 ft) DC Cable, M19 Push Lock	1 pc	CDCG-70721-[*]	01 or 10

DC DIMMING SIGNAL CABLES (Power Supply to Dimming Control)	Quantity per Light Fixture	Ordering Code	QTY/Carton
80 cm (31,5 in) dimming signal cable, Cca, pigtail, M12 connector	1 pc	CDME-71526-[*]	01 or 10

Replace [*] with the quantity per carton with two digits (example: CDME-71526-01)



POWER SUPPLY	Dim L	Dim W	Dim H	Weight
LVG 600W	34-37 cm [13,4-14,5 in]	6,5-6,7 cm [2,6 in]	13,4 cm [5,3 in]	3,4-4,0 kg [7,5-8,9 lb]
HVE 600W	29-34 cm [11,5-13,4 in]	6,3-6,7 cm [2,5-2,6 in]	13,4-16,3 cm [5,3-6,4 in]	2,8-3,7 kg [6,3-8,1 lb]
HVG 600W	29-34 cm [11,5-13,4 in]	6,3-6,7 cm [2,5-2,6 in]	13,4-16,3 cm [5,3-6,4 in]	2,8-3,7 kg [6,3-8,1 lb]

Disclaimer: Performance values are from representative tests performed in accordance industry standards listed. Actual application performance may vary due to component tolerances and installation, environmental, and field measurements conditions.



Contact **FLUENCE**

emea@fluencebioengineering.com

www.fluence-led.com/spydr-series